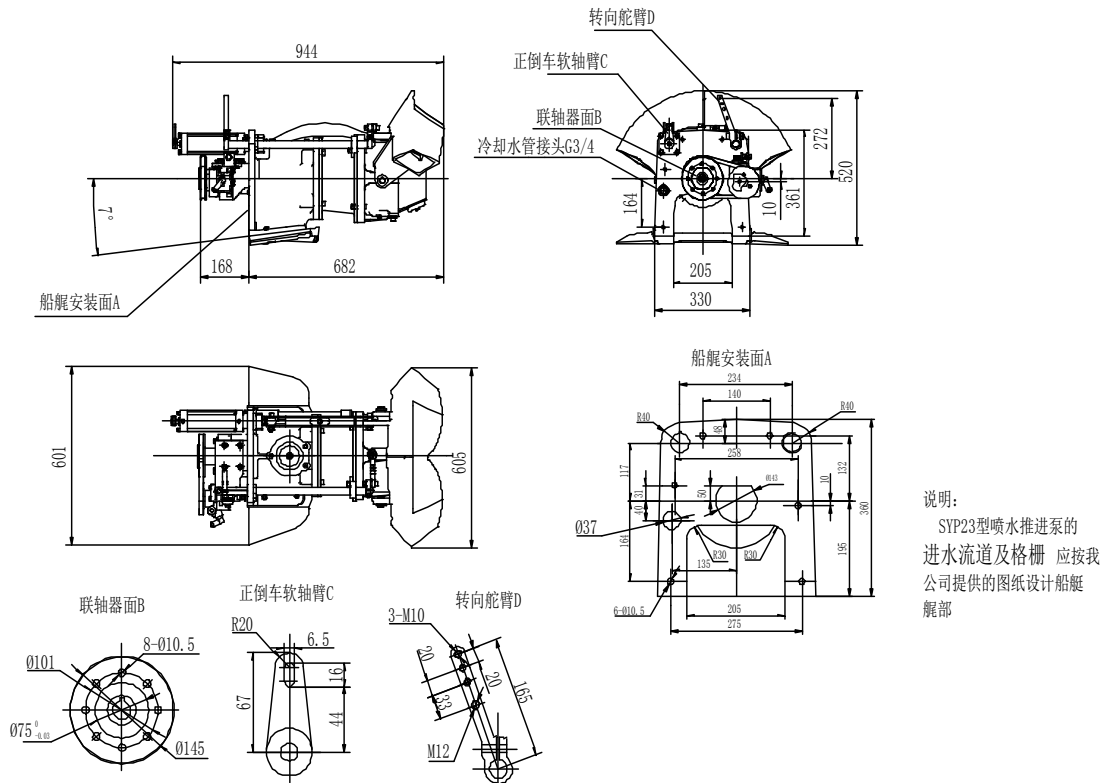


外形尺寸图(Overall Dimension):



主要技术参数(Main Technical Data):

| | |
|---|--------------------------------|
| 型号 Model | SYP23 |
| 匹配主机功率/转速 Power/Rated | 50~220/3000~4300 |
| 叶轮级数 Impeller grade | 1 |
| 推进效率 Propulsion efficiency | ≥70% |
| 适用航速 (节) Application of speed (knots) | ≤45 |
| 操舵转角 Steering angle | 22±1° |
| 舵及倒车系统 Steering & reverse control | 液压及软轴操控 Hydraulic & soft cable |
| 安装方式 Installation type | 半嵌入 Half embedding |
| 与主机联接方式 Connecting with engine | 直联式 Direct connection |
| 喷泵重量 (单泵干重) Pump weight (Dry) (Kg) | 79 |
| 泵内水重: (附加水) Water weight inner pump (Kg) | 22 |