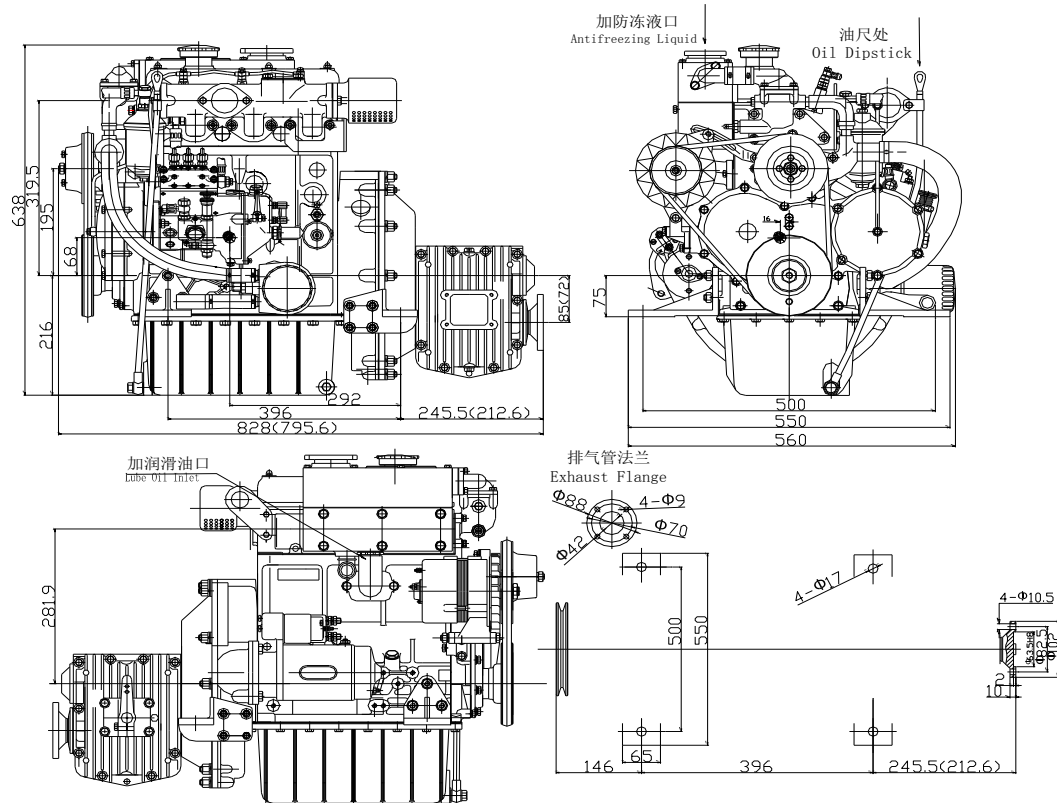


## 外形尺寸图(Overall Dimension):



## 主要技术参数(Main Technical Data):

型号 Model	SY380C	
型式 Type	三缸、直立、四冲程、水冷直喷式、自然吸气 Three cylinder, in-line vertical, four stroke, water cooling, direct injecting, nature inspiration.	
缸径 X 冲程 Cylinder bore X stroke (mm)	80X90	
活塞总排量 Total piston displacement (L)	1.357	
压缩比 Compression ratio	18:1	
标定功率/转速 Rated power/speed (KW/r/min)	20.6/2800	
最大功率/转速 MX. power/Rated (KW/r/min)	22.6/2890	
起动方式 Starting method	电起动(选配弹性起动、手摇或液压起动) Electric(Option spring starting、Manual starting or Hydraulic motor starting)	
输出旋向(面对飞轮) Direction of rotation(From flywheel)	顺时针 Clockwise	
齿轮箱型号 Gear box type	SCG025	ZF25M
速比 Reduction ratio	正车 Ahead	2.74
	倒车 Astern	2.67
外形尺寸(长 X 宽 X 高) Engine overall dimension (mm)	828×560×638	
净质量 Net weight (Kg)	200	